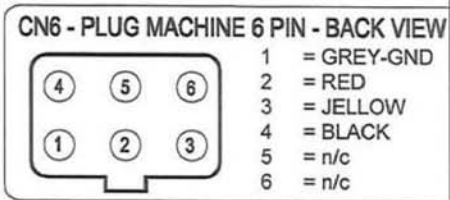


- R1 = Heating element 230Vac 1000W
- R2 = Heating element 230Vac 1000W
- R3 = Heating element 230Vac 1000W
- M1 = Motor vacuum 230Vac 1000W
- P1 = Pump Water 230Vac 48W
- P2 = Pump Soap 230Vac 48W
- EV = Steam solenoid valve 230Vac 22W
- IG = Main switch
- IC = Boiler on/off
- PR = Pessure switch

MACHINE CONFIGURATION
 Connecting CN3-1 and CN3-2

MACHINE	CN3-1	CN3-2
Professional+IND0311	— close	— open

Note: For closed means connected to ground
 To open you want to disconnect the ground



Section recommended minimum:

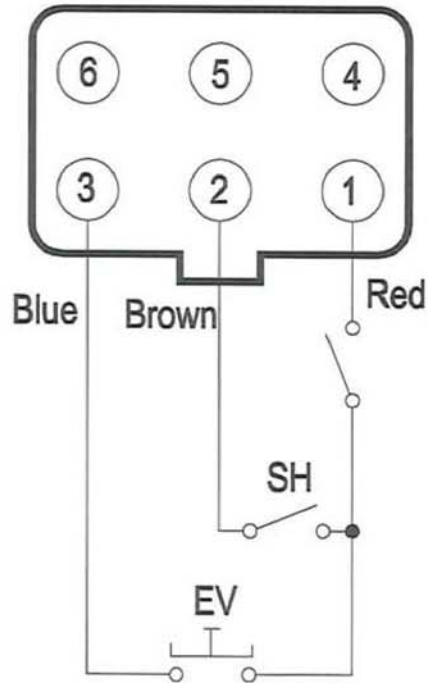
- # Main line (phase, neutral, ground): 2.5 mm²
- # User 230 (motor, pump, solenoid valve, etc. ..): 1.5 mm²
- # Low-voltage signal (levels, contacts, etc. ..): 0.5 mm²

DATE: 09/01/2012	SH.N: 1	MASTER NO.: 0707510	DRAWING CODE: IND031124	FILE NAME: IND031124_CIRCUIT_230V_3_8_L.dwg
DRAWER: MR	N.S.H: 1	8TUR01LTD		
CONTROLLED BY: F.L.T.	F.P.L.	FORMAT: M	SCALE:	L.T.:

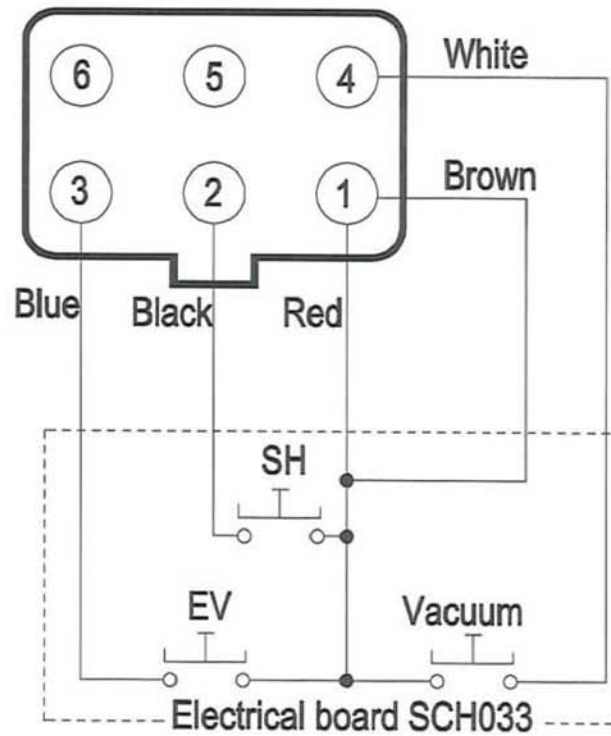
DESCRIPTION: COMPLETE ELECTRIC CIRCUIT IND0311_EUROPA_VACUUM_3br

SCHEMI COLLEGAMENTI FLEX PER MACCHINE OSPREY IND0311
FRUTTO SPINA CNEM 06RY 6 POLI cod:080714063
VISTO DAL LATO INSERIMENTO CAVI data 09-01-2012

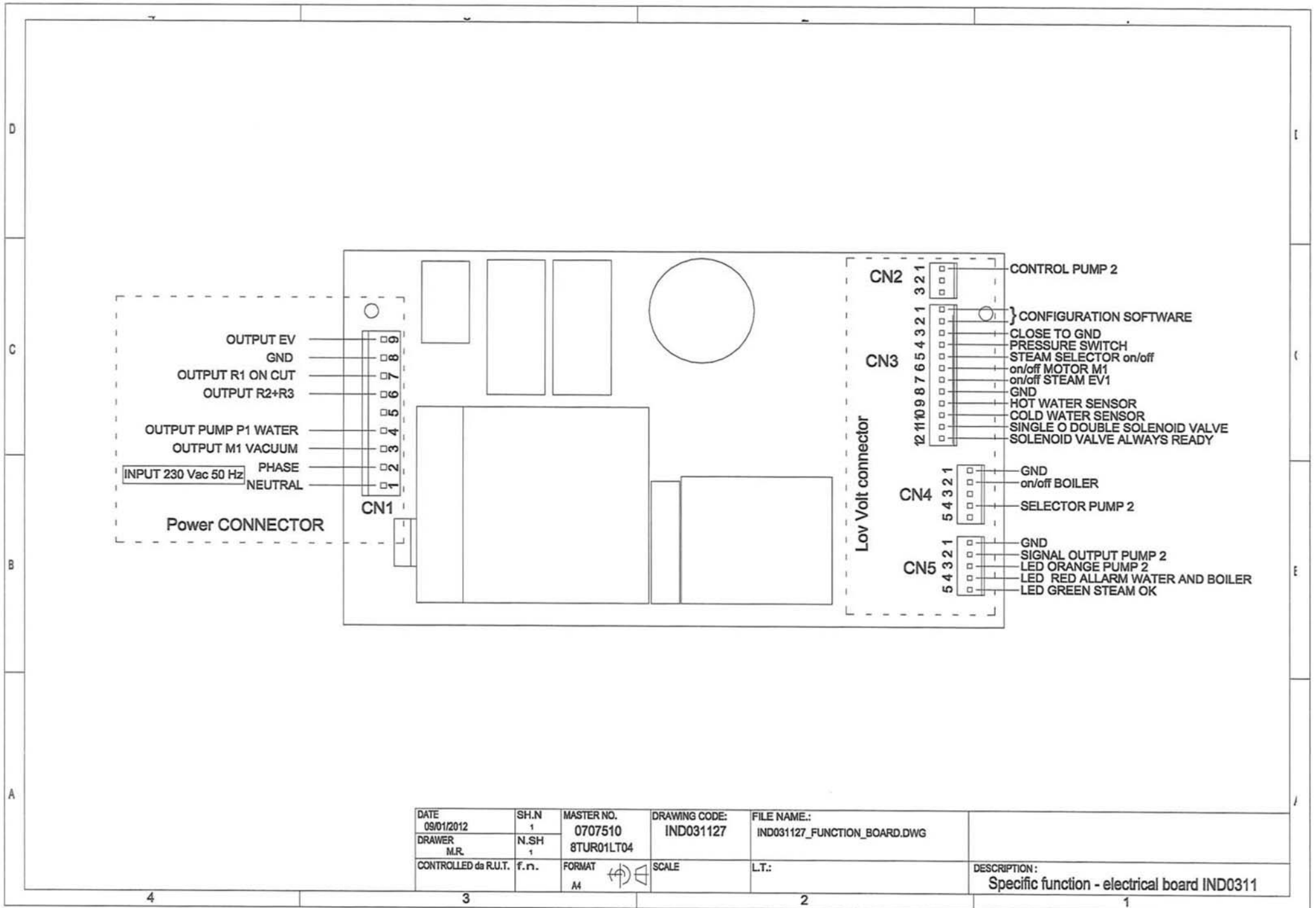
SF1/230/1500*2
 SF1/120/1700*1
 SF6/400/1833*3



SF3/230/1000*3
 vacuum



DATE 09/01/2012	SH.N 1	MASTER NO.	DRAWING CODE: IND031126	FILE NAME: IND031126_CIRCUIT_FLEX.dwg	
DRAWER MR	NLSH 1				
CONTROLLED IN R.U.T. -	F.N. -	FORMAT M	SCALE 1:1	L.T.:	DESCRIPTION: CIRCUIT FLEX IND0311



DATE 09/01/2012	SH.N 1	MASTER NO. 0707510	DRAWING CODE: IND031127	FILE NAME.: IND031127_FUNCTION_BOARD.DWG	
DRAWER M.R.	N.SH 1	8TUR01LT04			
CONTROLLED da R.U.T.	f.r.	FORMAT A4	SCALE	L.T.:	DESCRIPTION: Specific function - electrical board IND0311

4

3

2

1