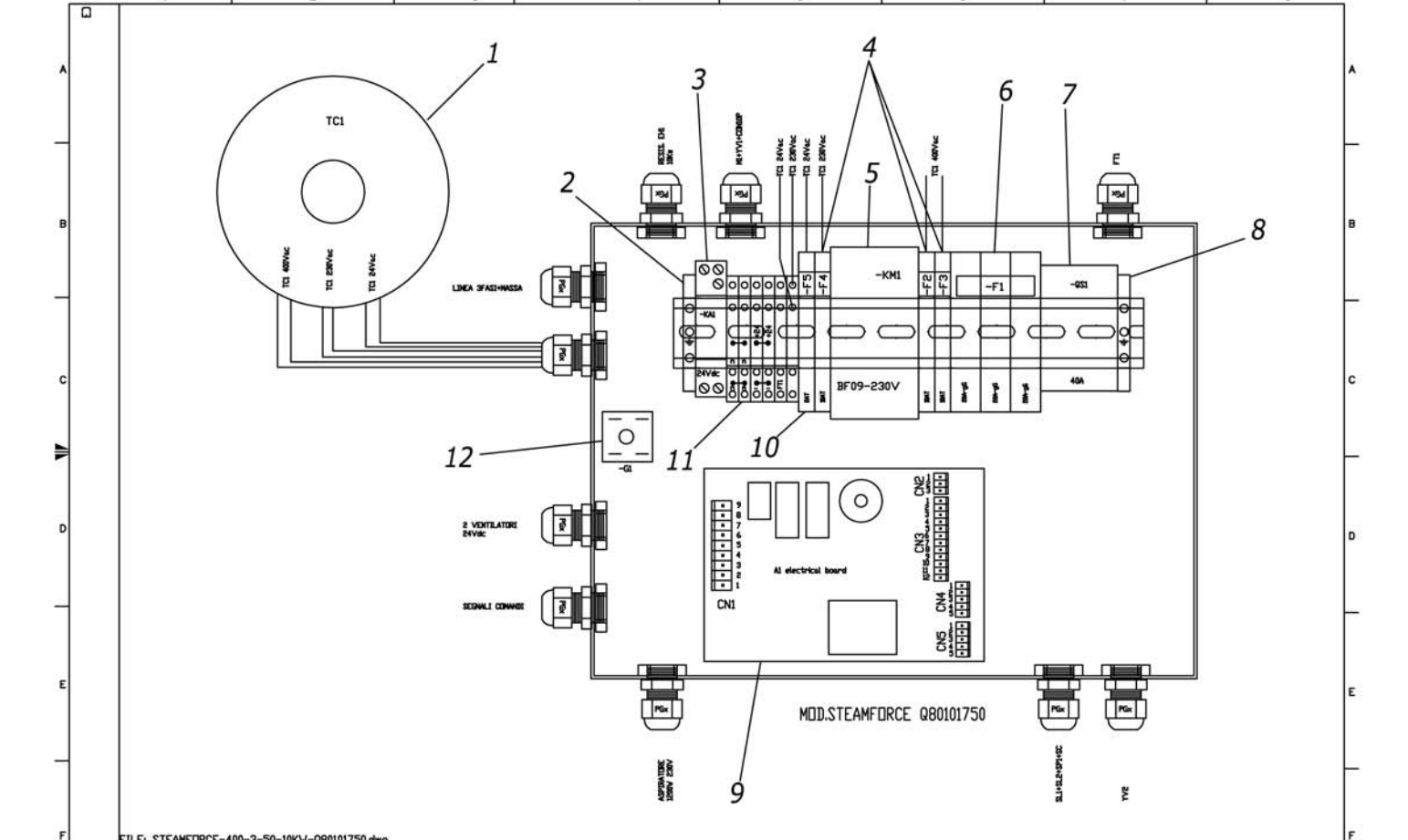
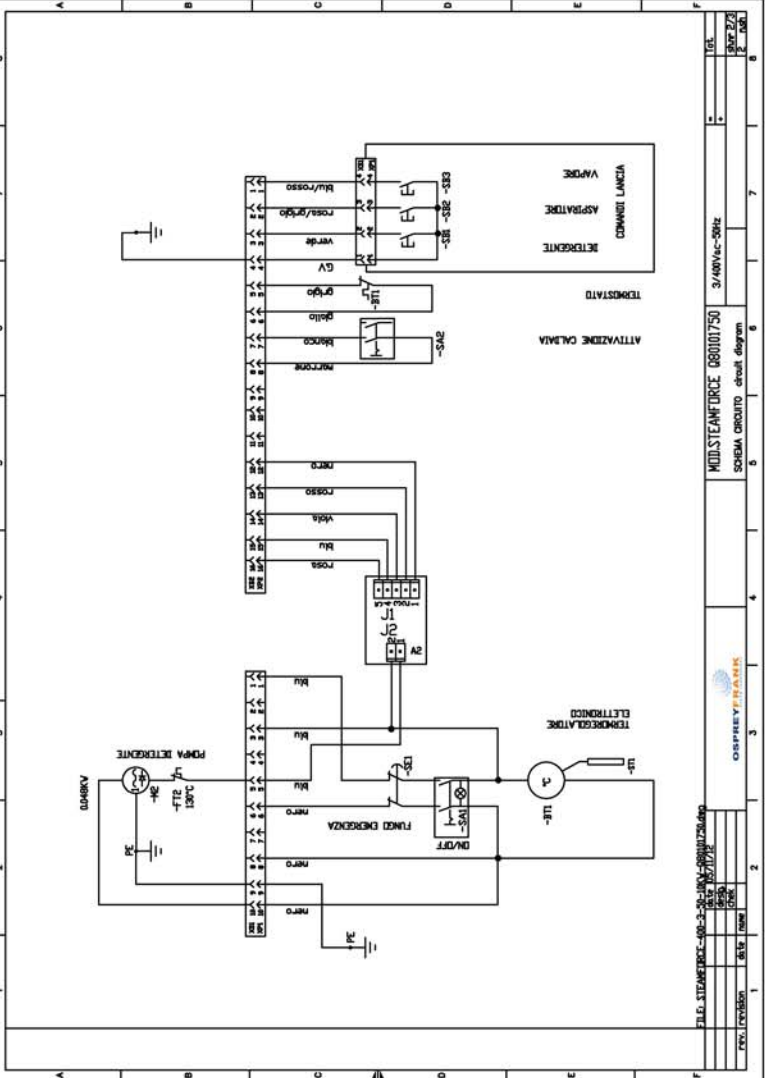
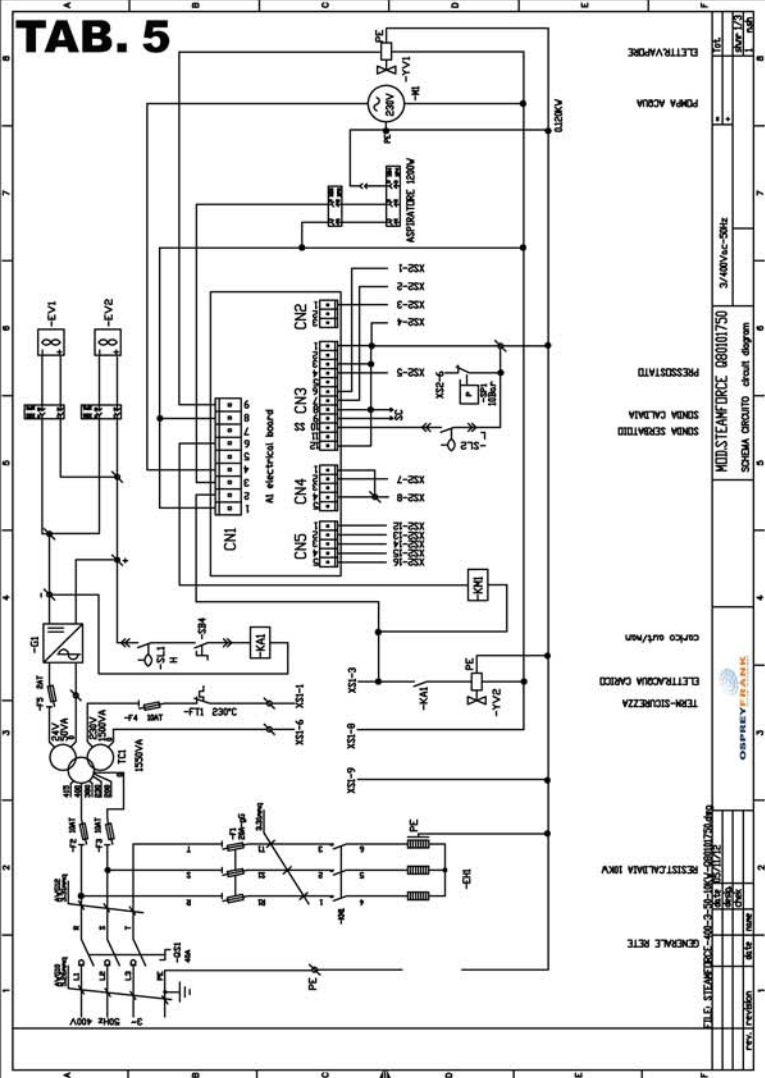


TAB. 5



FILE: STEAMFORCE-400-3-50-10KV-Q80101750.dwg

rev.	revision	date	name
		05/11/12	



MOD.STEAMFORCE Q80101750	3/400Vac-50Hz	Tot
SCHEMA CIRCUITO circuit diagram		shnr 2/3
		3 nsh

01	05/2013	TAB05	Spare Parts Drawings - Steamforce 10	Q80001331
REV	DATA	N° DOC.	DESCRIPTION	PRODUCT COD.